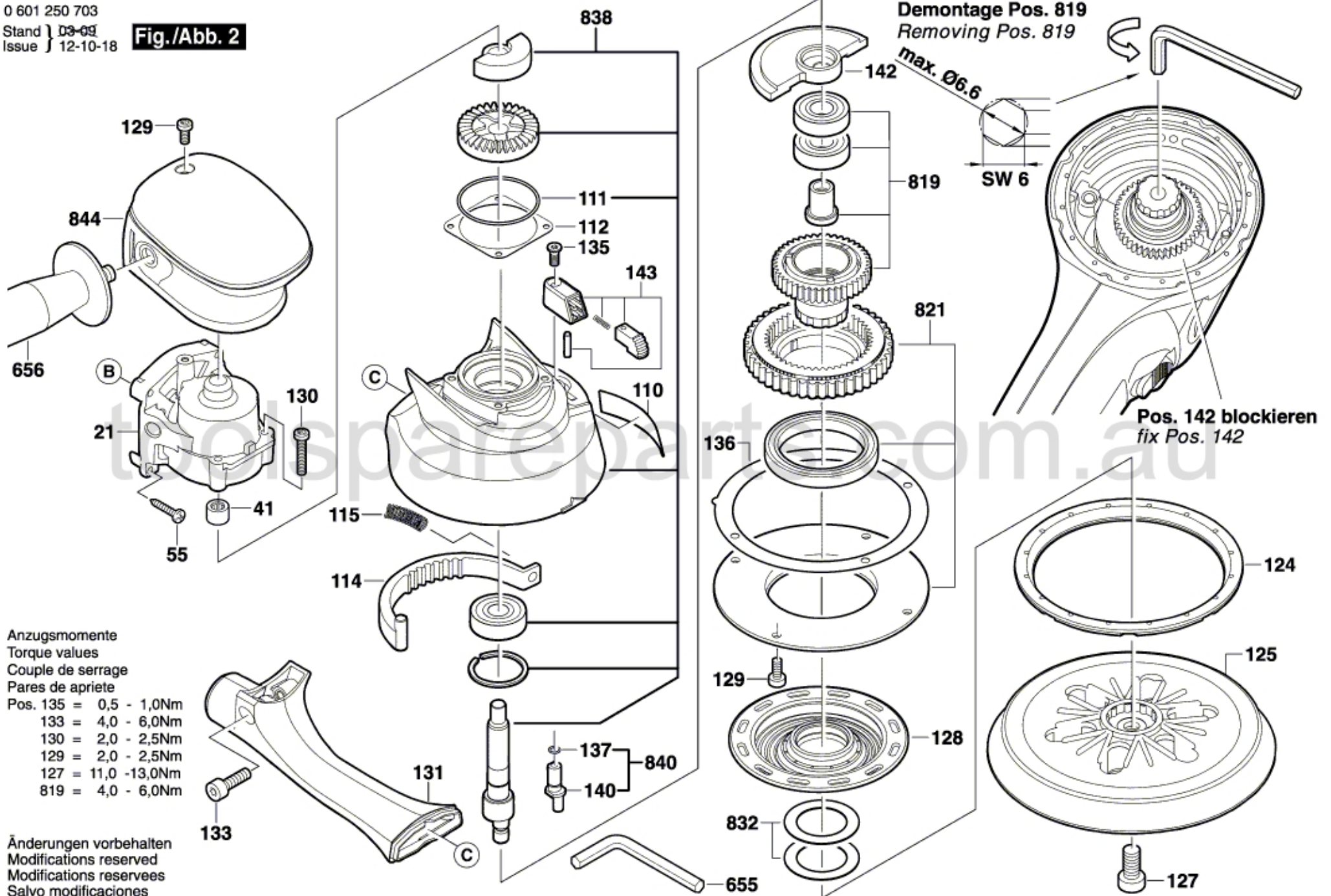


Fig./Abb. 2



- Anzugsmomente
 Torque values
 Couple de serrage
 Pares de apriete
- Pos. 135 = 0,5 - 1,0Nm
 - 133 = 4,0 - 6,0Nm
 - 130 = 2,0 - 2,5Nm
 - 129 = 2,0 - 2,5Nm
 - 127 = 11,0 - 13,0Nm
 - 819 = 4,0 - 6,0Nm

Änderungen vorbehalten
 Modifications reserved
 Modifications reserves
 Salvo modificaciones

Demontage Pos. 819
 Removing Pos. 819

max. Ø6.6
 SW 6

Pos. 142 blockieren
 fix Pos. 142